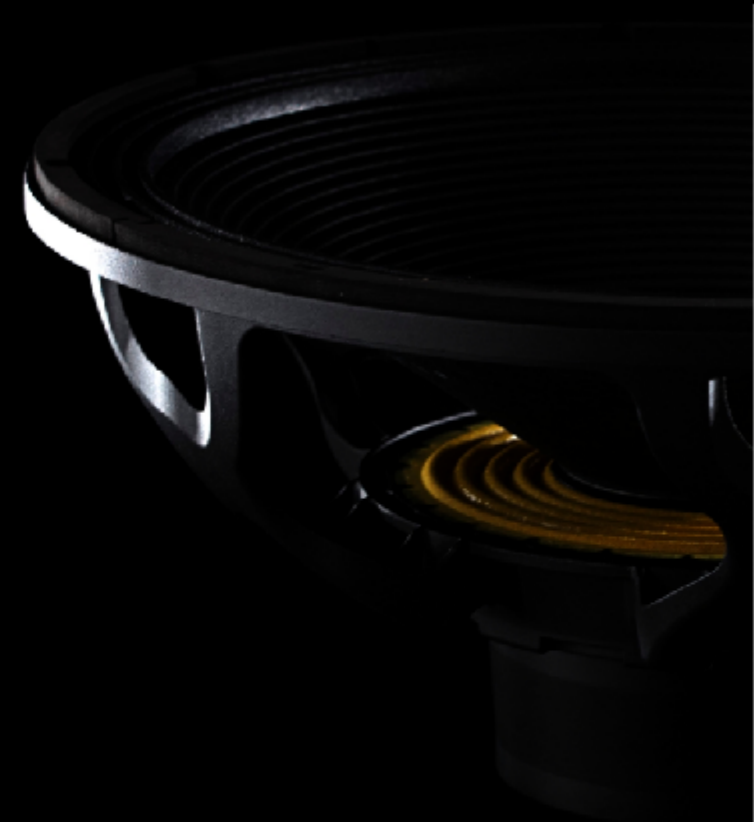


# **beyma** **FR-12CM**

**FULL RANGE 2 WAY SYSTEM 12"**  
**12CMV2 - CD11Fe - TD-194**



**TECHNICAL SPECIFICATIONS**

<i>Frequency response (±3 dB)</i>	56 Hz - 20 kHz
<i>Usable bandwidth (-10 dB)</i>	38 Hz - 20 kHz
<i>Maximum SPL (*)</i>	127 dB
<i>Sensitivity 1W@1m</i>	96 dB
<i>HxV Coverage angle (-6 dB)</i>	90°x40° rotatable
<i>Transducers LF:</i>	12CMV2
<i>Transducers HF:</i>	CD-11Fe coupled to TD-194
<i>AES power handling:</i>	320 W
<i>Nominal impedance:</i>	8 Ω
<i>Connectors:</i>	2 x NL4
<i>Box Dimensions (**)</i>	370 x 370 x 630 (Birch Plywood 15mm)
<p><b>(**) Peak level at 1 m under free field conditions using pink noise with 2 crest factor (6 dB).</b>  <b>(**) All dimensions in this files are in millimeters.</b></p>	

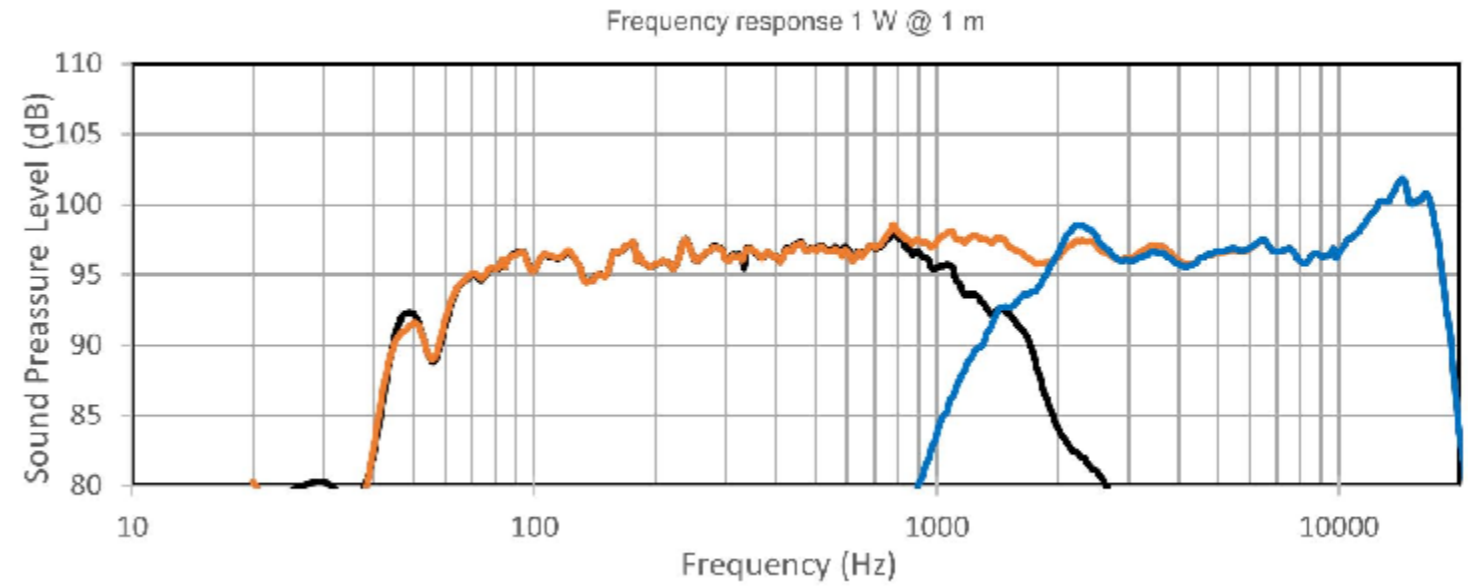


**PRESETS**

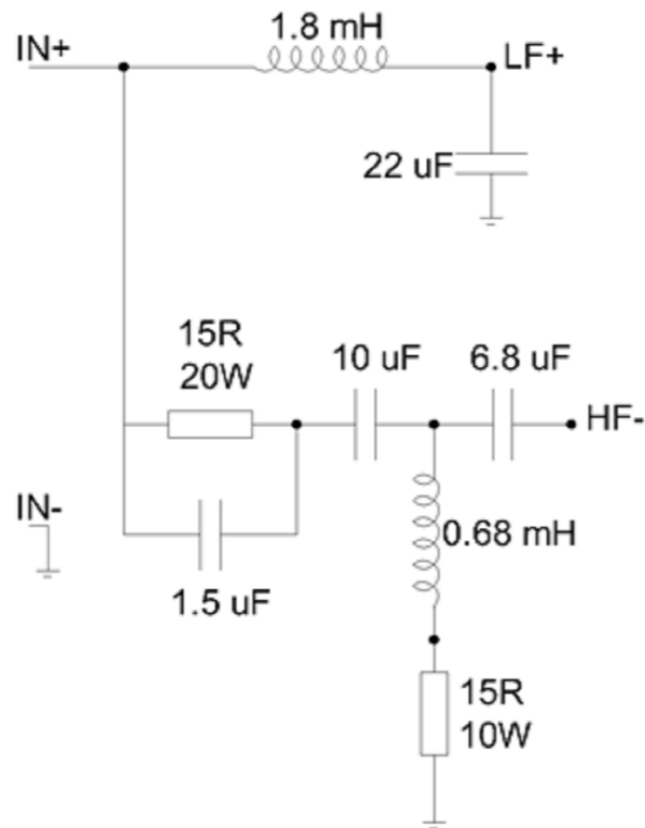
FR-12CM	f (Hz)	Q	Gain (dB)
1	98	0,75	3,5
2	265	2,6	-2
3	795	1	-2
4	1680	3,8	2,5
LIMITER (*)	Threshold	Attack	Release
	4 dBu	17 ms	196 ms

*\*for 32 dB Gain amplifier*

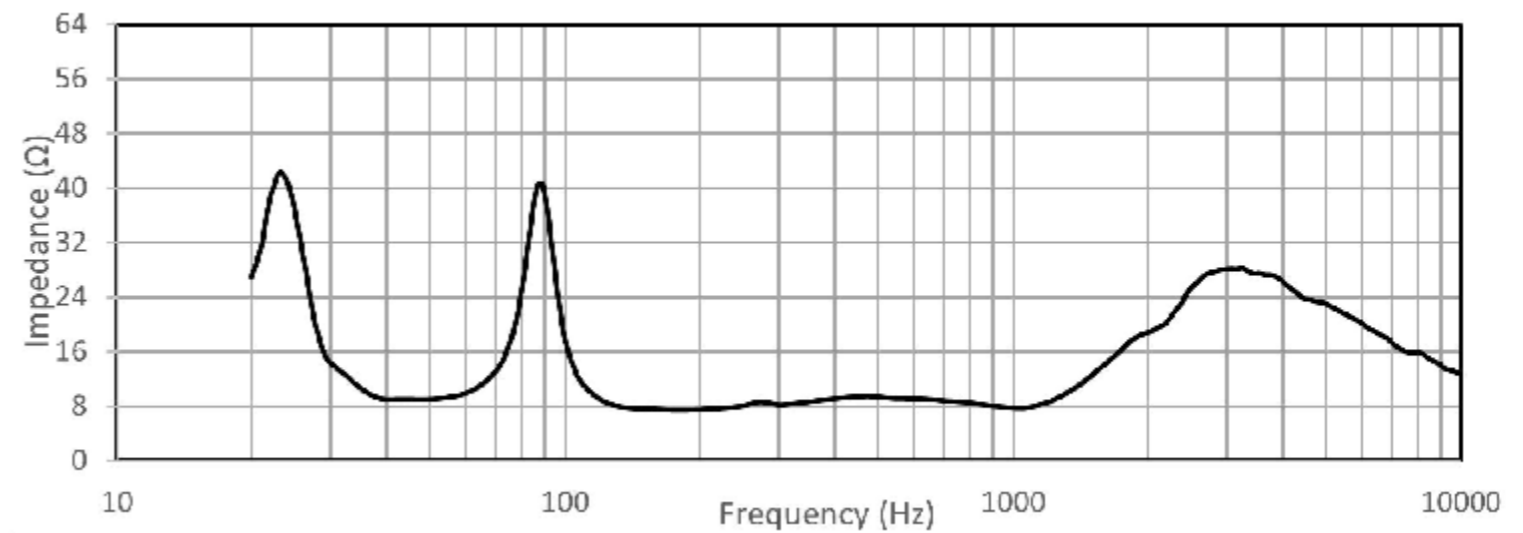
**FREQUENCY RESPONSE**



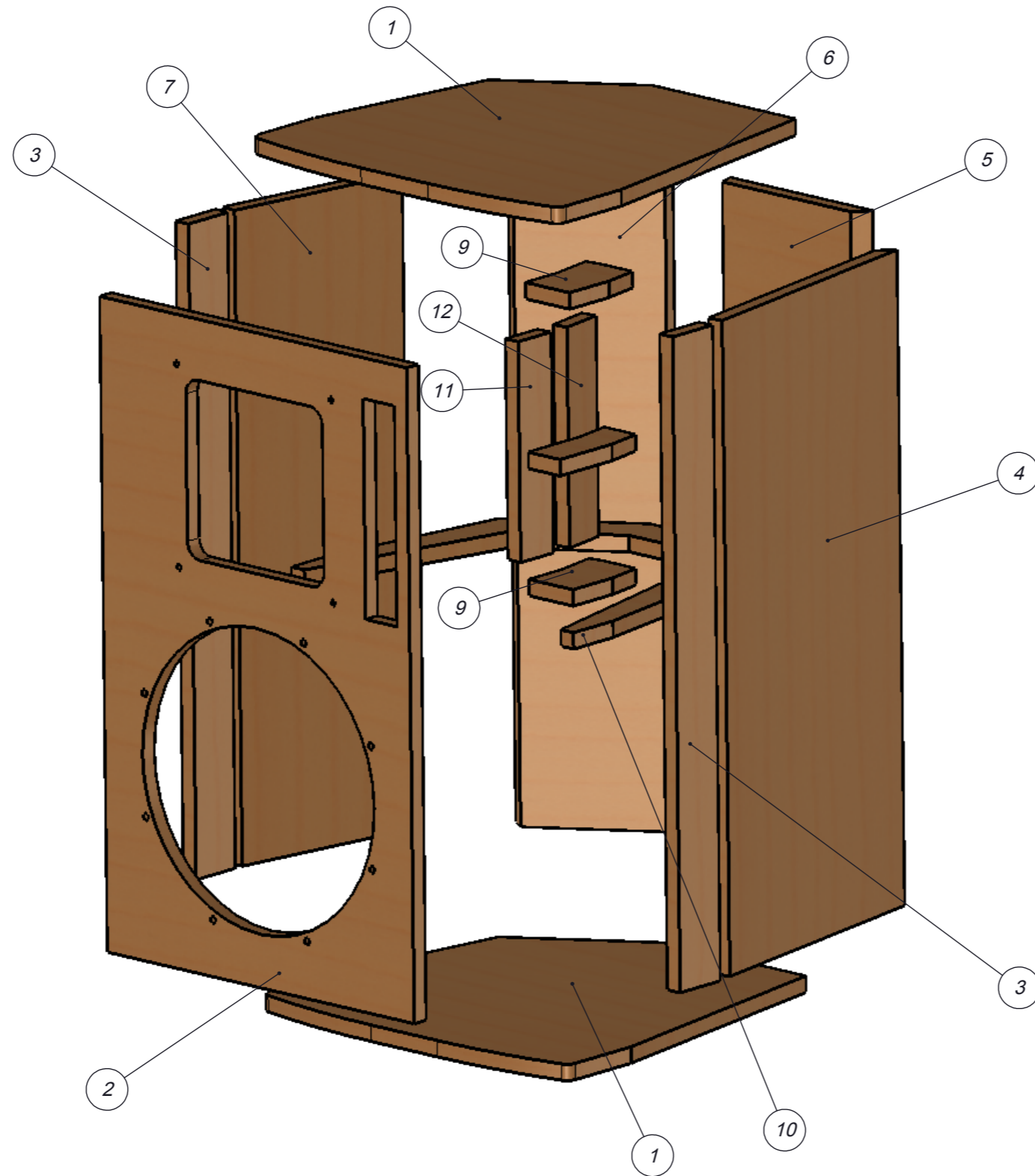
**PASSIVE CROSSOVER DESIGN**



**IMPEDANCE**



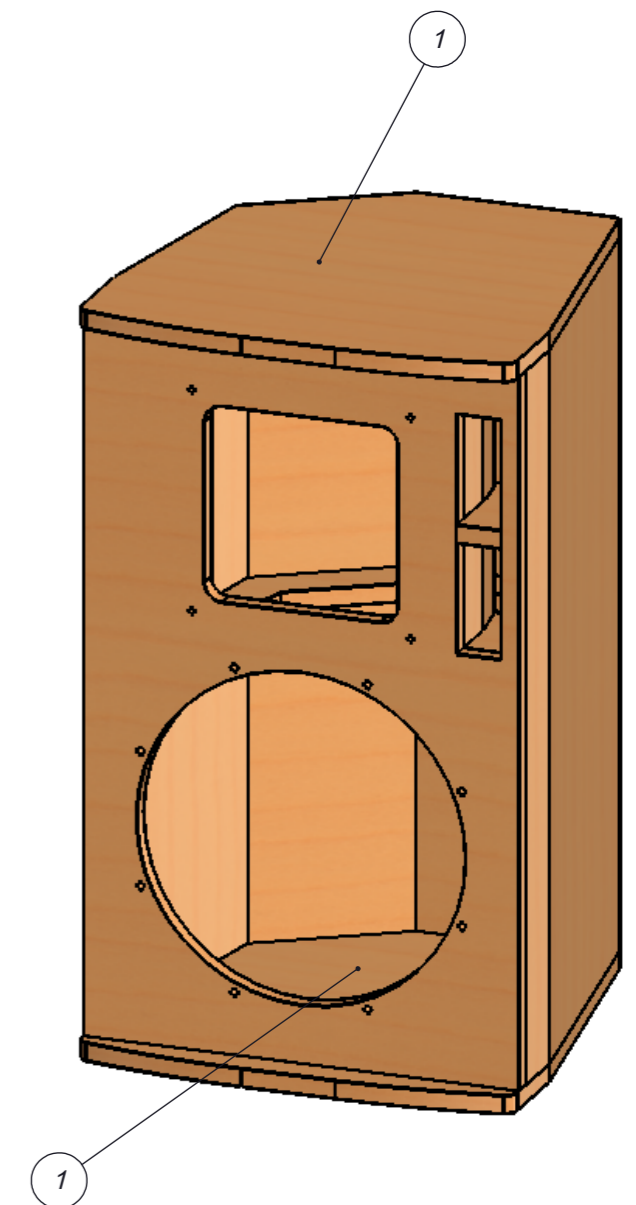
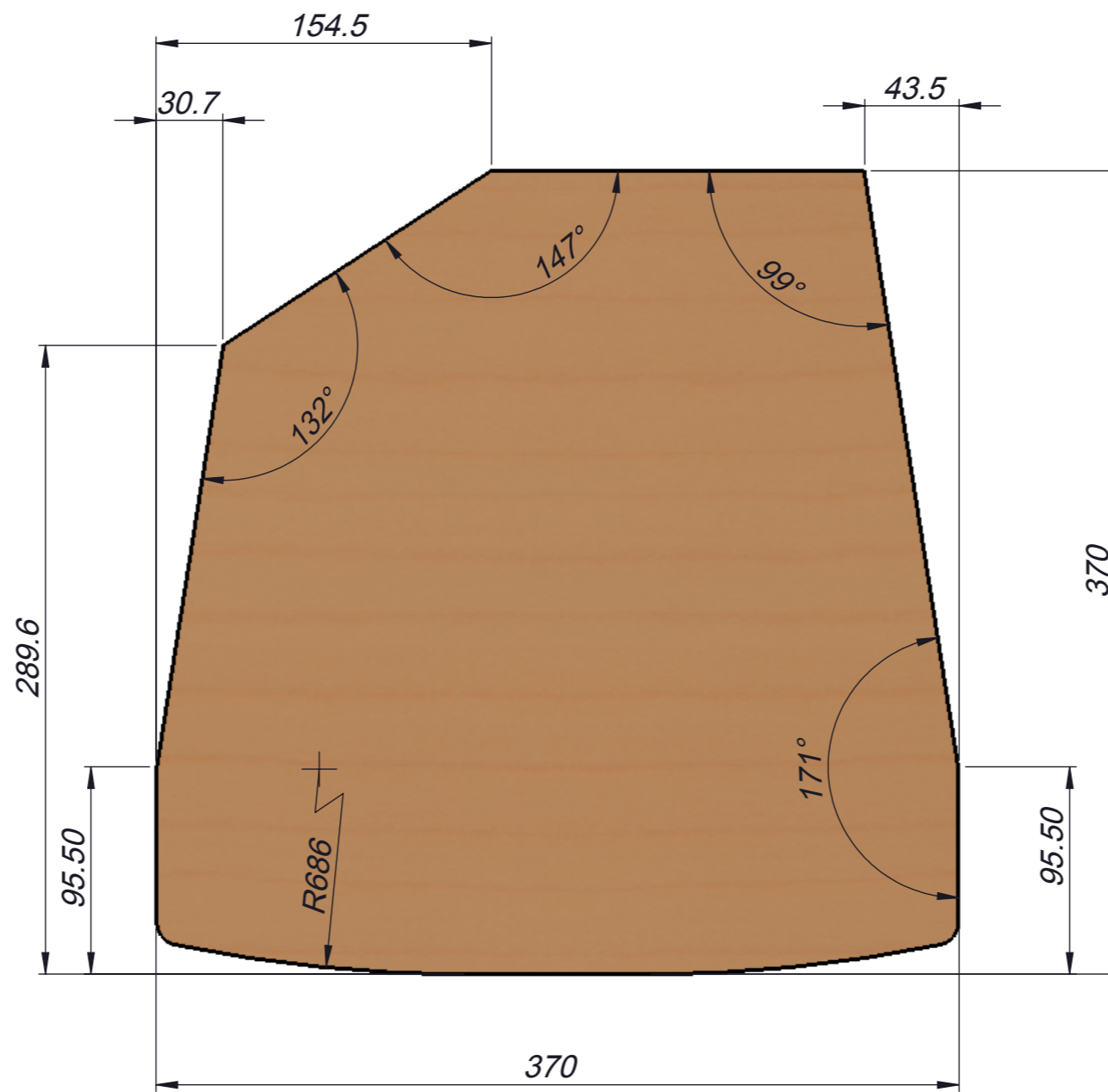
**EXPLODED VIEW**



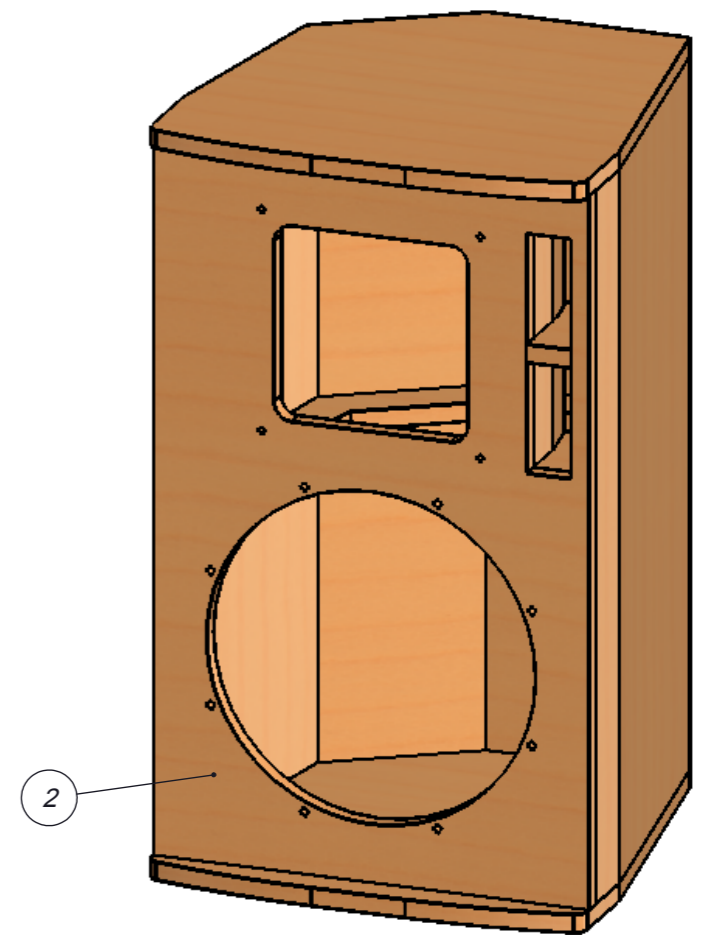
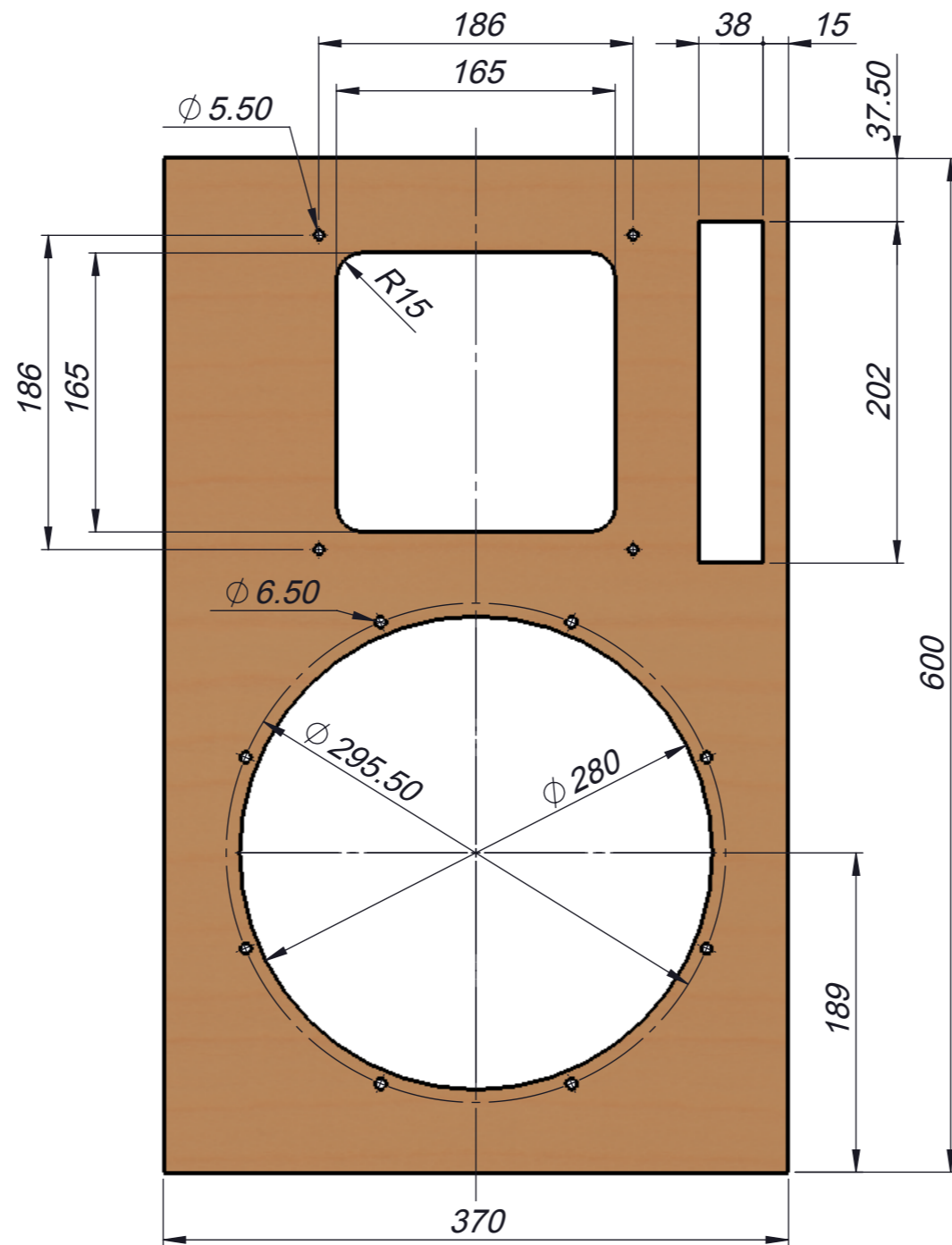
**PARTS LIST**

ITEM N°.	PARTS DIMENSIONS	QTY.
1	370 x 370 x 15	2
2	370 x 600 x 15	1
3	52 x 600 x 15	2
4	278 x 600 x 15	1
5	172 x 600 x 15	1
6	147.6 x 600 x 15	1
7	196.5 x 600 x 15	1
8	44 x 105 x 15	1
9	60 x 88 x 15	2
10	340 x 311.5 x 15	1
11	42.6 x 202 x 15	1
12	45.9 x 202 x 15	1

TOP AND BOTTOM PARTS



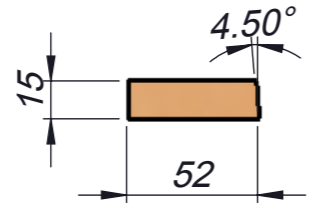
FRONT PANEL



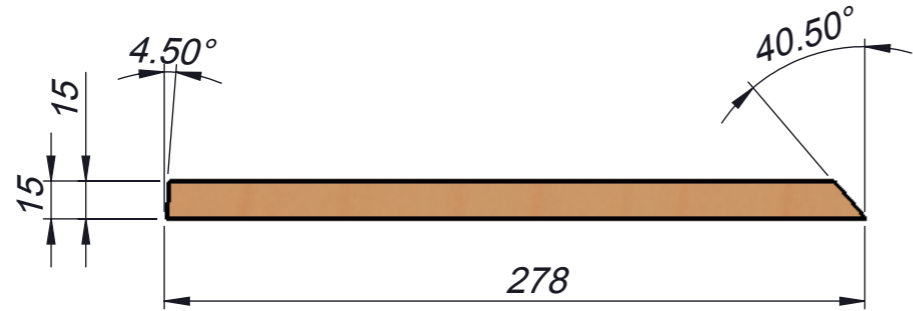
SIDES

INNER REINFORCEMENT

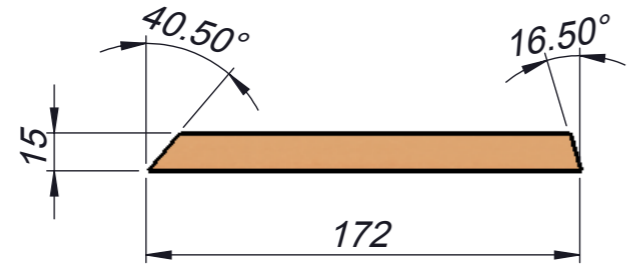
③ x 2



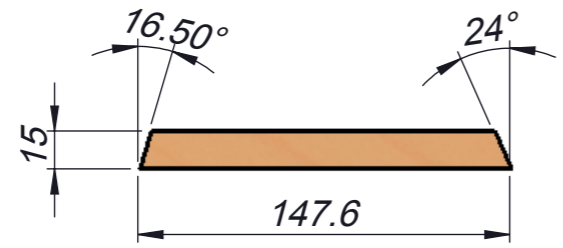
④



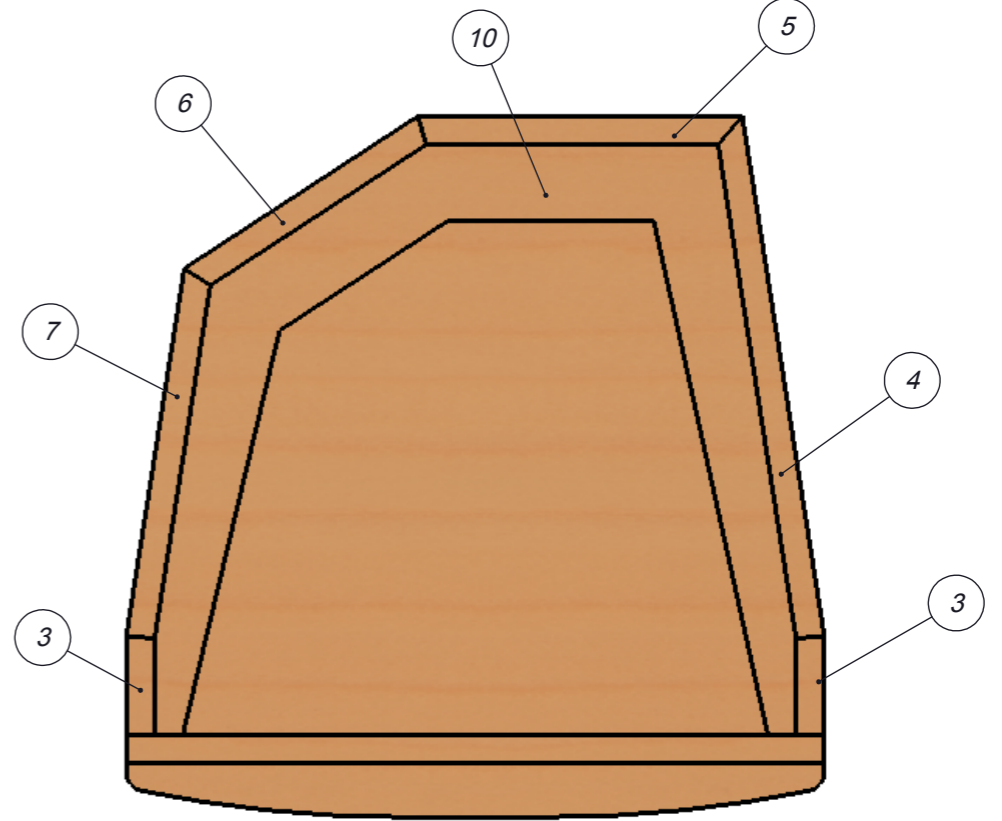
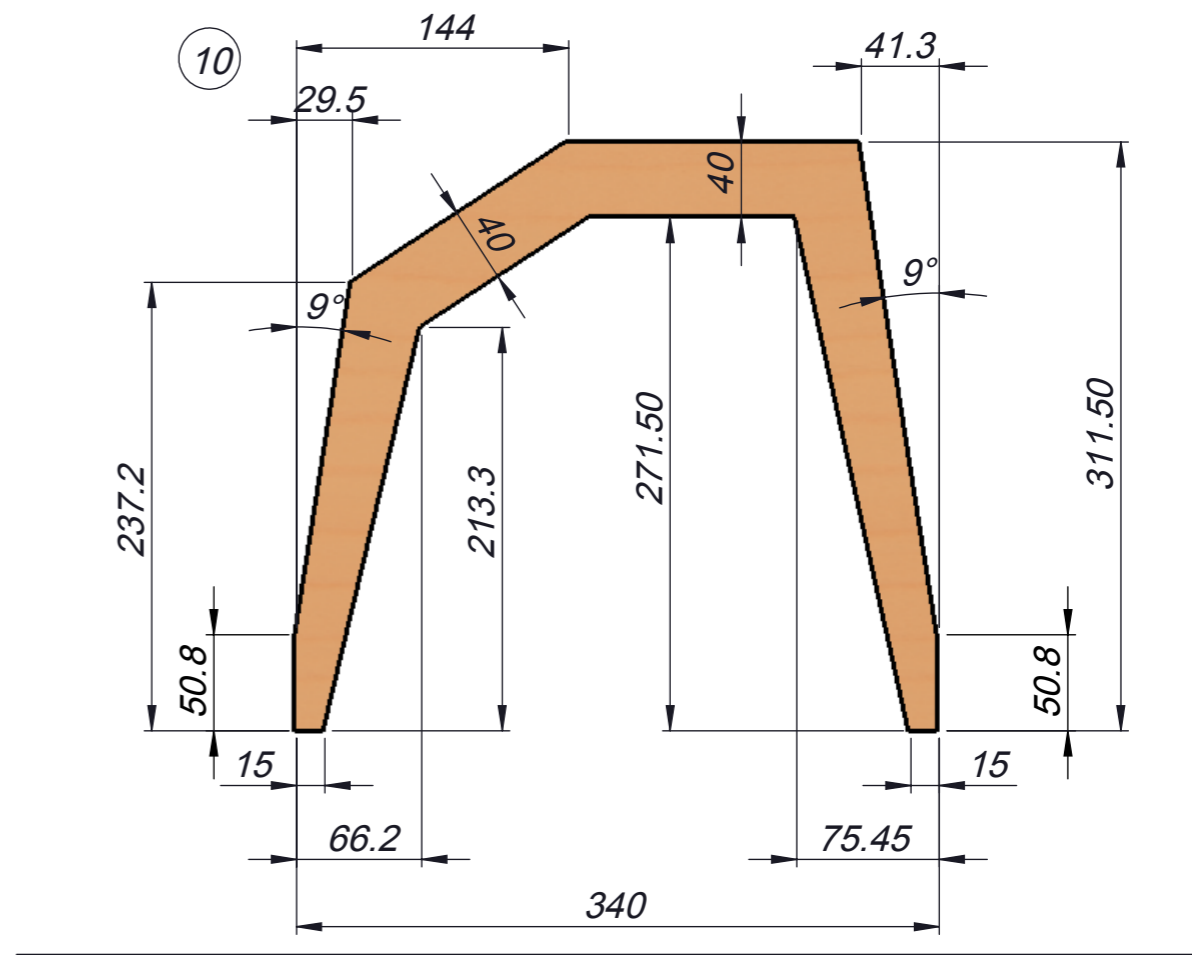
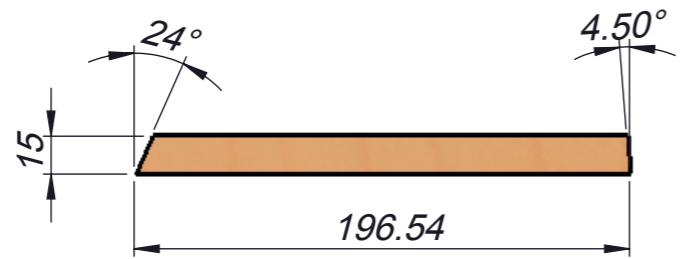
⑤



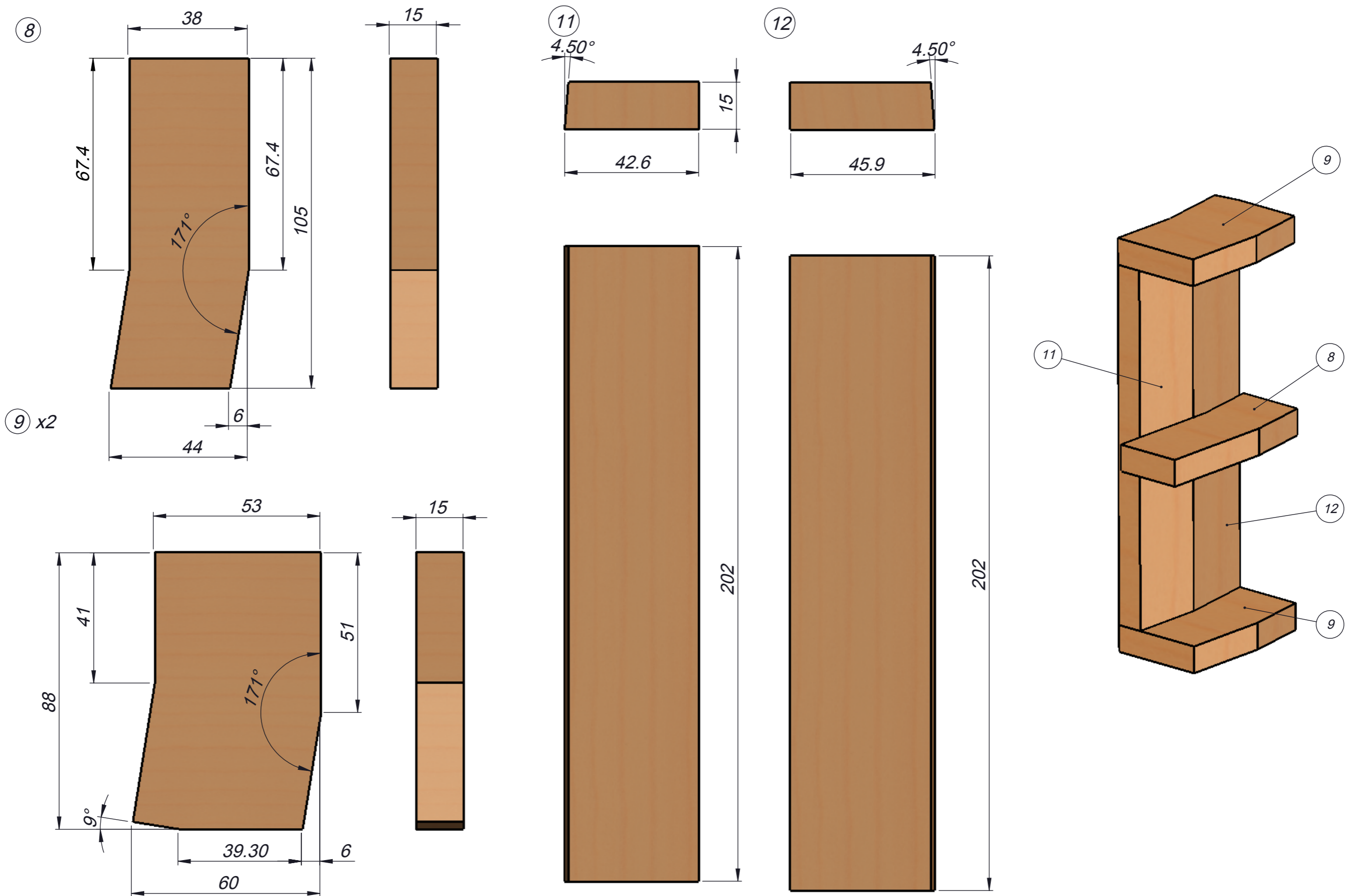
⑥



⑦



VENT ASSEMBLY





**beyma**  **FR-CM**

**FULL RANGE 2 WAY SYSTEM SERIES**

